

## COMPATIBILITY

LONGSPAN Max models are compatible with all standard LONGSPAN Base 8, LONGSPAN Base, Camera and Lite models. For full details of distances, available POE and the recommended power supplies, please see the tables in the LONGSPAN Application Notes and Datasheets.

## POWER SUPPLIES

PRODUCT CODE	DESCRIPTION	POWER
VPSU-12V-U	Universal 12V DC PSU	-
VPSU-POE-100	54-57V DC PSU	100W
VPSU-POE-240	54-57V DC PSU	240W

## SURGE PROTECTION

Any LONGSPAN network design for outdoor applications must incorporate the appropriate level of surge protection to avoid invalidation of warranty due to electrical storm damage. It is the responsibility of the system installer to ensure the correct level of protection.

## FCC

**This device complies with Part 15 of the FCC Rules.** Operation is subject to the following two conditions: (1) this device may not cause harmful interference, and (2) this device must accept any interference received, including interference that may cause undesired operation.

*NOTE: This equipment has been tested and found to comply with the limits for a Class A digital device, pursuant to Part 15 of the FCC Rules. These limits are designed to provide reasonable protection against harmful interference when the equipment is operated in a commercial environment.*

*This equipment generates, uses, and can radiate radio frequency energy and, if not installed and used in accordance with the instruction manual, may cause harmful interference to radio communications. Operation of this equipment in a residential area is likely to cause harmful interference in which case the user will be required to correct the interference at his own expense.*



© Veracity UK Ltd 2020 QSGWV1.2 UK  
LONGSPAN MAX (Camera) is a trademark of Veracity UK Ltd

## CONNECTIONS & LEDS

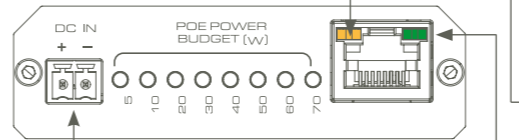


### RJ45 Connectors

10/100Base-TX, auto speed, crossover, full duplex.  
IEEE 802.3af/at/bt compliant

LED	FUNCTION
RJ45 Yellow	On = link Blink = activity
RJ45 Green	On = POE enabled Blink = POE error Off = POE device not detected. Ethernet only

## POWER BUDGETS



### Optional Local Power

For maximum power output connect to a Veracity 54V-57V power supply only - in polarity shown.

Power Budget LEDS are as follows :-



LED FUNCTION	BLUE	PURPLE	RED
TOTAL POE POWER BUDGET FOR CAMERAS	On = available 5W blink = <5W	Approaching power limit	Power limit exceeded /error code

## LONGSPAN Network and Optional Hi-Power POE Input

LED	FUNCTION
RJ45 Yellow	On = link Blink = activity
RJ45 Green	On = 100Mbps Flash = 10Mbps Off = no link

### POE Power Budget LEDS

The POE power budget is the measured total available power for POE devices powered by the Camera unit. Power is limited either by the power delivered over the LONGSPAN link, or by the optional local power supply.

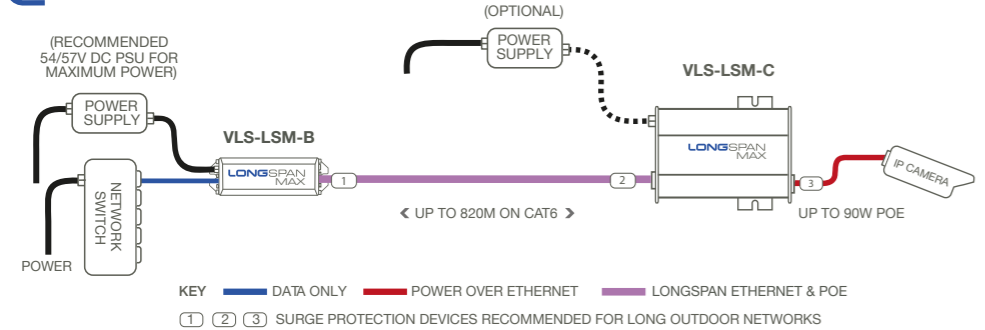
VLS-LSM-C

## QUICK START GUIDE

HI-POE SINGLE PORT ETHERNET EXTENDER  
**LONGSPAN™**  
MAX

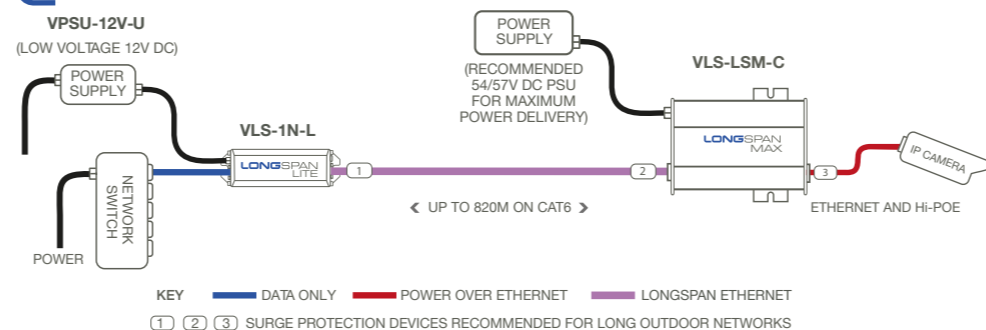


### APPLICATION DIAGRAM WITH HI-POE TRANSMISSION



- Connect a LONGSPAN Max Base to a LONGSPAN Max Camera and then to a POE camera, or other POE device.
- In this configuration, the LONGSPAN Max Base unit may be powered either by a POE network switch or for maximum power, by a separate Veracity 54-57V DC power supply (Veracity PSU options shown overleaf).
- The LONGSPAN Max Base unit can output a maximum of 90W POE depending upon the optional PSU.
- See LONGSPAN Max Base and Max Camera datasheets tables for distance vs power levels.
- CAT6 cable is recommended for increased POE delivery at distance.

### APPLICATION DIAGRAM LOCAL POWER SUPPLY



- Connect a LONGSPAN Lite to a LONGSPAN Max Camera and then to a POE camera or other POE device. No POE is delivered over the LONGSPAN link.
- In this configuration it is necessary to power the LONGSPAN Lite unit with a 12V DC power supply and the Max Camera unit with a Veracity 54-57V DC power supply (see PSU options).
- The LONGSPAN Max Camera unit can output up to 90W POE per port, but may be dependent on the total power available from the local PSU.
- The distance between the Camera and the powered POE device may be up to 100m, although the delivered power will reduce with distance.
- See LONGSPAN Max Camera datasheet table for POE output power budgets & PSU options.

### LONGSPAN MAX (CAMERA) DIMENSIONS

