

FCC CERTIFICATION

This device complies with Part 15 of the FCC Rules. Operation is subject to the following two conditions: (1) this device may not cause harmful interference, and (2) this device must accept any interference received, including interference that may cause undesired operation.

NOTE: This equipment has been tested and found to comply with the limits for a Class A digital device, pursuant to Part 15 of the FCC Rules. These limits are designed to provide reasonable protection against harmful interference when the equipment is operated in a commercial environment.

This equipment generates, uses, and can radiate radio frequency energy and, if not installed and used in accordance with the instruction manual, may cause harmful interference to radio communications. Operation of this equipment in a residential area is likely to cause harmful interference in which case the user will be required to correct the interference at their own expense.



© Veracity UK Ltd 2024
QSG DV1.7EN
CAMSWITCH 4 Plus is a trademark of Veracity UK Ltd.

SURGE PROTECTION

Surge Protection

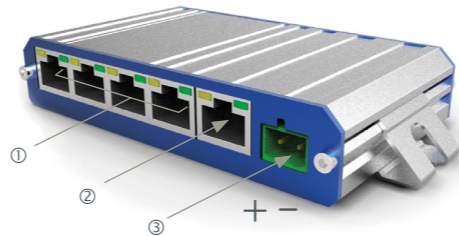
All Veracity products have been independently tested to verify their resilience to the stringent immunity levels of international standards. Users should note that no electronic equipment can be guaranteed to be completely protected at levels beyond the defined standard; therefore product warranty cannot include damage to products which has been caused by surges exceeding those of the standards specified, for example lightning strike activity.

It is the user's responsibility to implement relevant surge protection measures, as appropriate to the installation. This may include the fitting of additional surge protection devices where required.

Veracity UK Ltd. Prestwick International Aerospace Park,
4 Dow Road, Prestwick, KA9 2TU. UK

Veracity's Authorised Representative in the EU (as required by EU law for CE marked goods) is: Comply Express Unipessoal Limitada, StartUp Madeira, EV141, Campus da Penteadá, 9020 105 Funchal, Portugal.

CONNECTIONS & LEDS



All ports support 10Base-T/100Base-TX with auto-negotiation and auto-crossover.

- ① 4 network ports with 802.3at POE
- ② Data port with optional POE in
- ③ 57V DC input

LED	FUNCTION
Green	On = POE Detected and Enabled On = Power Good (non-POE port)
Yellow	On = Ethernet Link Flash = Ethernet Activity

POE POWER AVAILABILITY

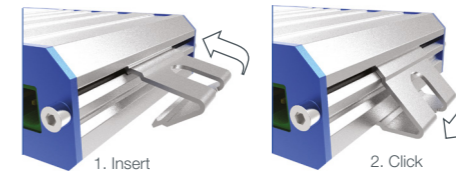
- | CAMSWITCH 4 Plus can deliver up to full 802.3at POE plus power on all 4 ports, however the total budget is limited by the power supply connected.
- | The Power Budget is the total power used by POE devices. This information may be found in the IP camera or POE device datasheets. POE power classes are ignored.
- | To check the budget for your supply, please refer to the Power Budget table.
- | Only Veracity power supplies may be connected to DC inputs.
- | POE input is compatible with most 802.3bt and pre-standard 4-pair high power POE injectors, typically giving a total POE output budget of up to 68 watts depending on the POE injector wattage and detection method.

POWER BUDGET

INPUT	SOURCE	BUDGET
DC	VPSU-57V-800	40 watts
	VPSU-POE-100	97 watts
	VPSU-POE-240	120 watts
POE	POE switch (af)	10 watts
	POE injector	10 - 68 watts

WALL MOUNT CLIPS

- | To mount the device securely to a flat surface, fit the easy to use clips as shown.



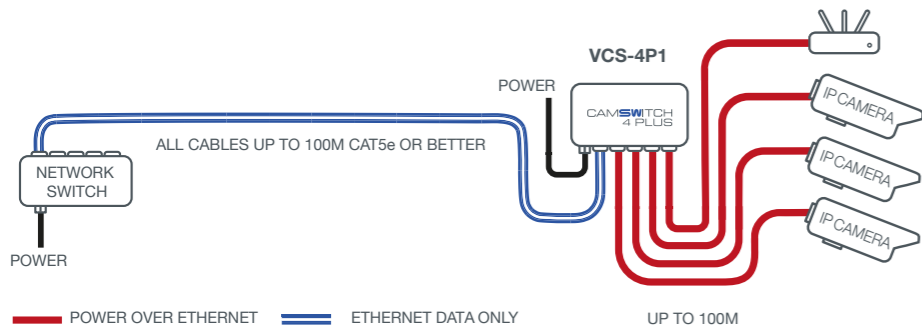
VCS-4P1

QUICKSTART GUIDE

802.3AT POE NETWORK SWITCH
CAMSWITCH®
4 PLUS

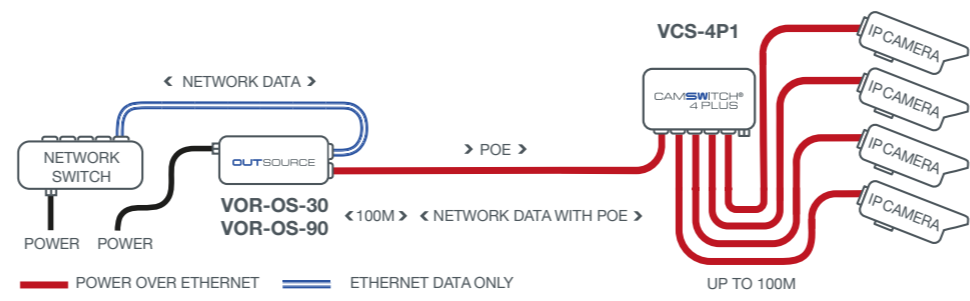


APPLICATION DIAGRAM
DC POWERED



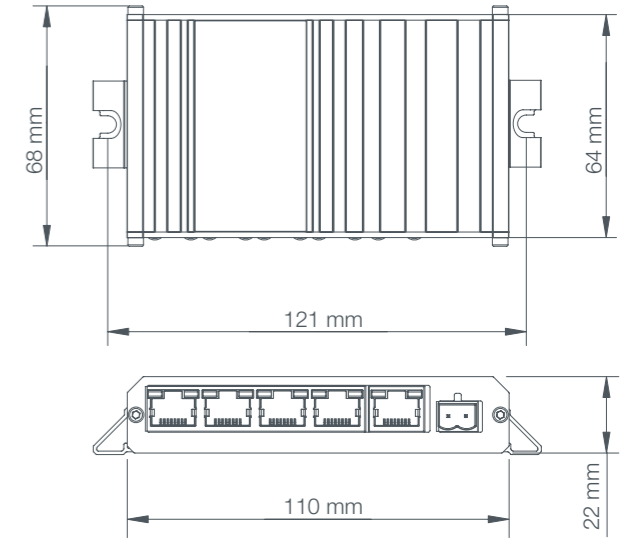
When used with an optional local power supply, CAMSWITCH 4 Plus provides four POE output ports with 15W or 25W per port (802.af or 802.3at).

APPLICATION DIAGRAM
POE POWERED



CAMSWITCH 4 Plus can be POE powered. Veracity's OUTSOURCE injectors and 23AWG Cat6 cables are recommended for POE-forwarding applications.

PRODUCT DIMENSIONS



Width 110mm (131mm inc. clips) | Depth 68mm (not inc. connectors)
Height 23mm inc. clips | Weight 135g