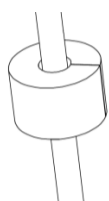


CABLE GASKET SIZES

- Check the cable gasket fit. For wider cables, the gasket can be removed and replaced. Two alternative sizes of gaskets are included.

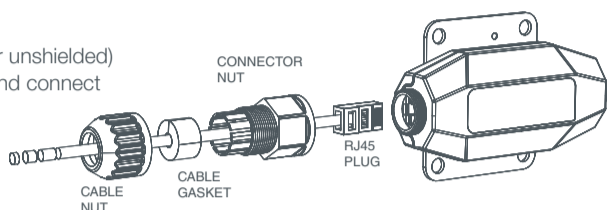


CABLE GASKET	CABLE DIAMETER	EXAMPLE CABLE
Black (fitted)	4.7 - 6.5mm	Cat 5e UTP, Cat 6 UTP
Green	6.0 - 7.8mm	Cat 5e, Cat 6 STP, Cat 6a
Red	7.0 - 9.0mm	Double Shielded, older Cat 6a

FITTING CONNECTORS 1

- Fit the cable cover parts over the cable, loosely assembled or separately in the order shown:

- Fit a standard (shielded or unshielded) RJ45 plug to the cable, and connect it to the product.



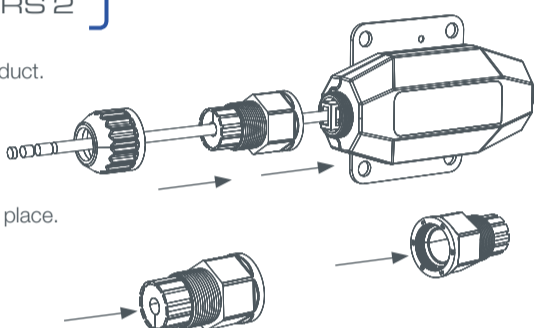
NB do not use strain reliefs or moulded connectors.

FITTING CONNECTORS 2

- Connect the RJ45 plug to the product.

NB Check the RJ45 plug clicks into place securely.

- Fit the cable casket into the connector nut if it is not already in place.



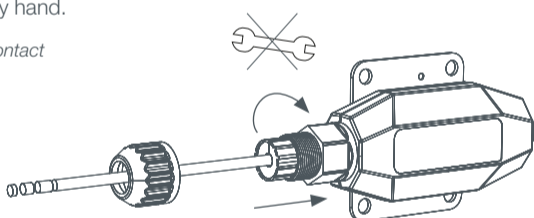
NB Check the cable gasket is fully inserted.

NB Check the red O-ring is present.

FITTING CONNECTORS 3

- Tighten the connector nut firmly by hand.

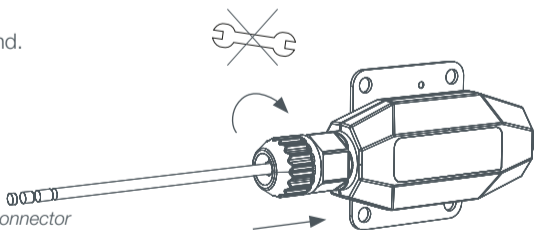
NB The connector nut should nearly contact the enclosure when fully tightened.



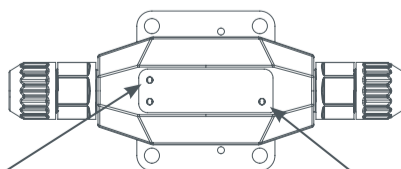
FITTING CONNECTORS 4

- Tighten the cable nut firmly by hand.

NB The cable nut should contact the connector when tightened. The cable gasket should compress firmly around the cable without bulging or rippling.



LED INDICATORS



POWER (Green)	
ON	Power good
OFF	No POE

LINK / Activity (Yellow)	
ON	Link
FLASH	Activity